



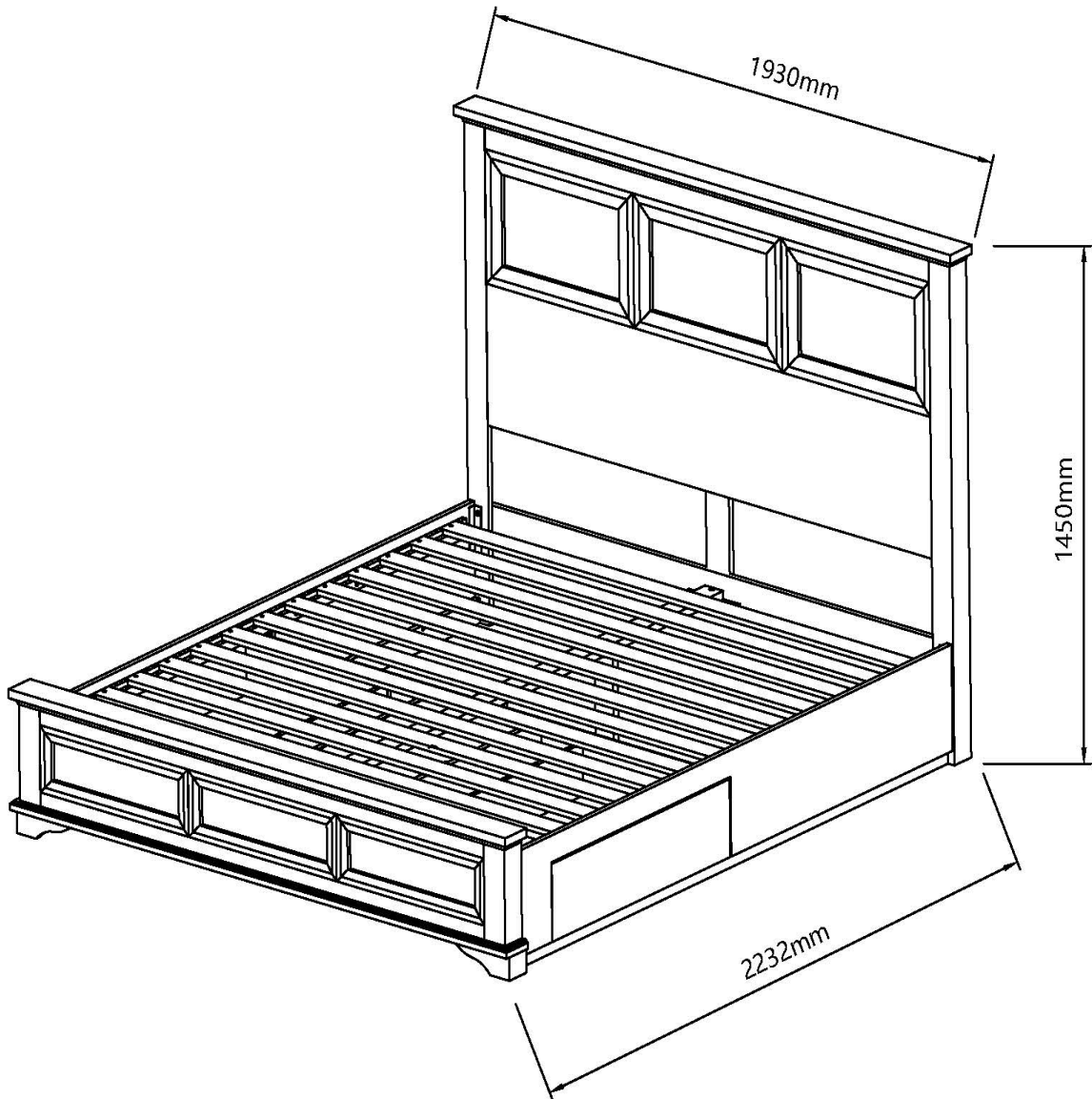
ASSEMBLY INSTRUCTION

MARSEILLE KING BED

ITEM CODE 75915

Imported by Amart Furniture Pty Ltd, Qld, Brisbane Australia.

For any assistance with assembly or for missing parts please phone Amart Furniture, Customer Service Free call 1800 351 084



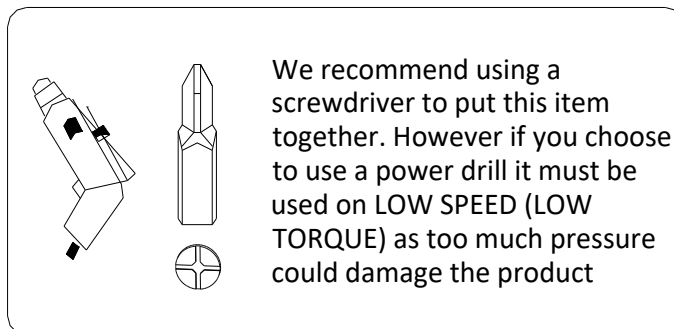
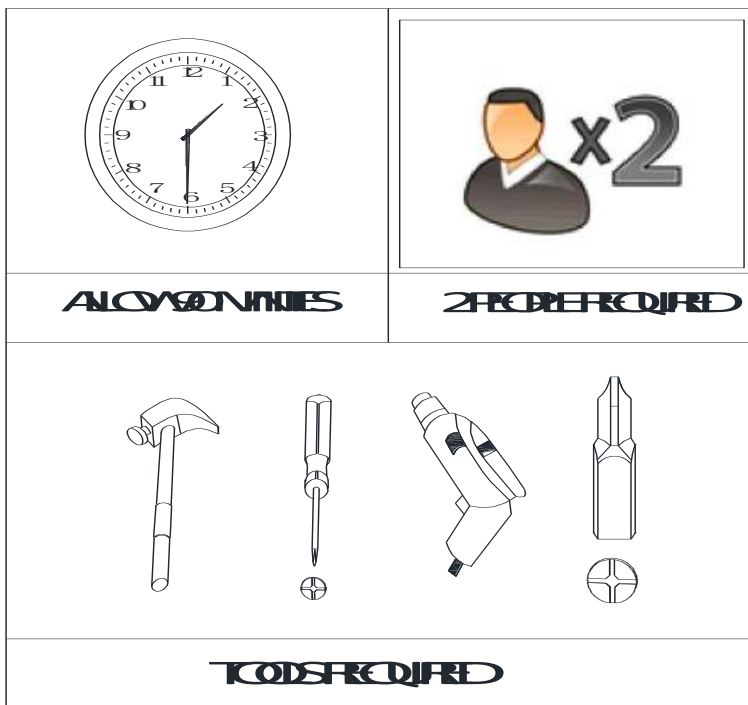
Imported by Amart Furniture Pty Ltd, Qld, Brisbane Australia.

For any assistance with assembly or for missing parts please phone Amart Furniture, Customer Service Free call 1800 351 084

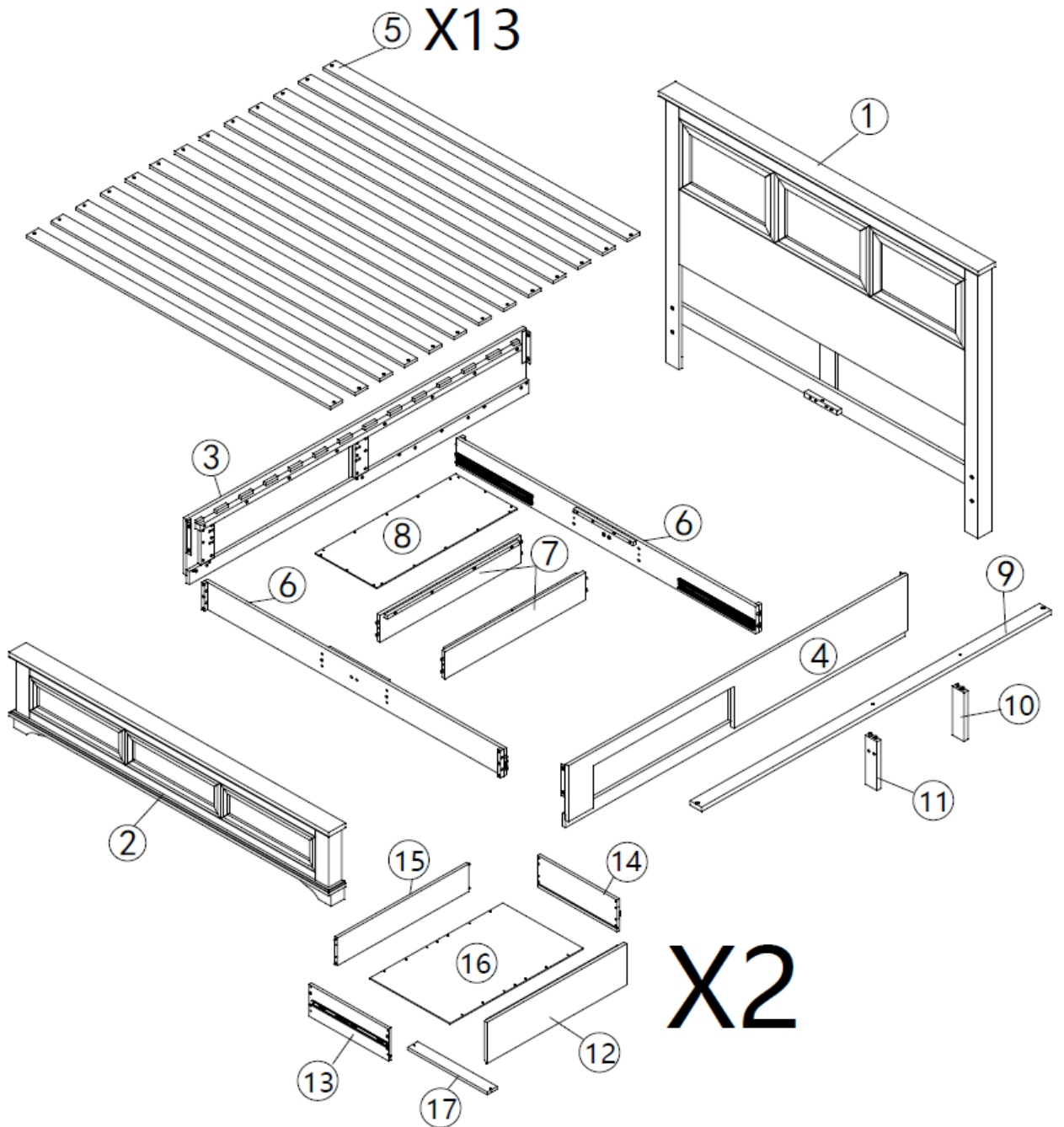
## PRE-ASSEMBLY PREPARATION

### Before you start:

1. Choose a clean, level, spacious assembly area. Avoid hard surfaces that may damage the product
2. Take care when lifting. Product should be assembled as near as possible to the point of use
3. Ensure that you have all required contents for complete assembly
4. Always read the assembly instructions carefully before beginning assembly.
5. Keep all hardware parts and packaging out of reach of small children.
6. Do not over tighten the screws and bolts as this may damage the threads




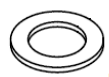

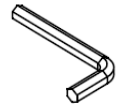




# PARTS LIST



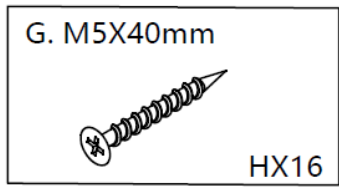
1	HEADBOARD
2	FOOTBOARD
3	SIDERAIL
4	SIDERAIL
5	SLATS
6	RUNNER BRACE

7	RUNNER BRACE
8	COVER BOARD
9	CENTRE RAIL
10	SUPPORT LEG
11	SUPPORT LEG
12	DRAWER FRONT

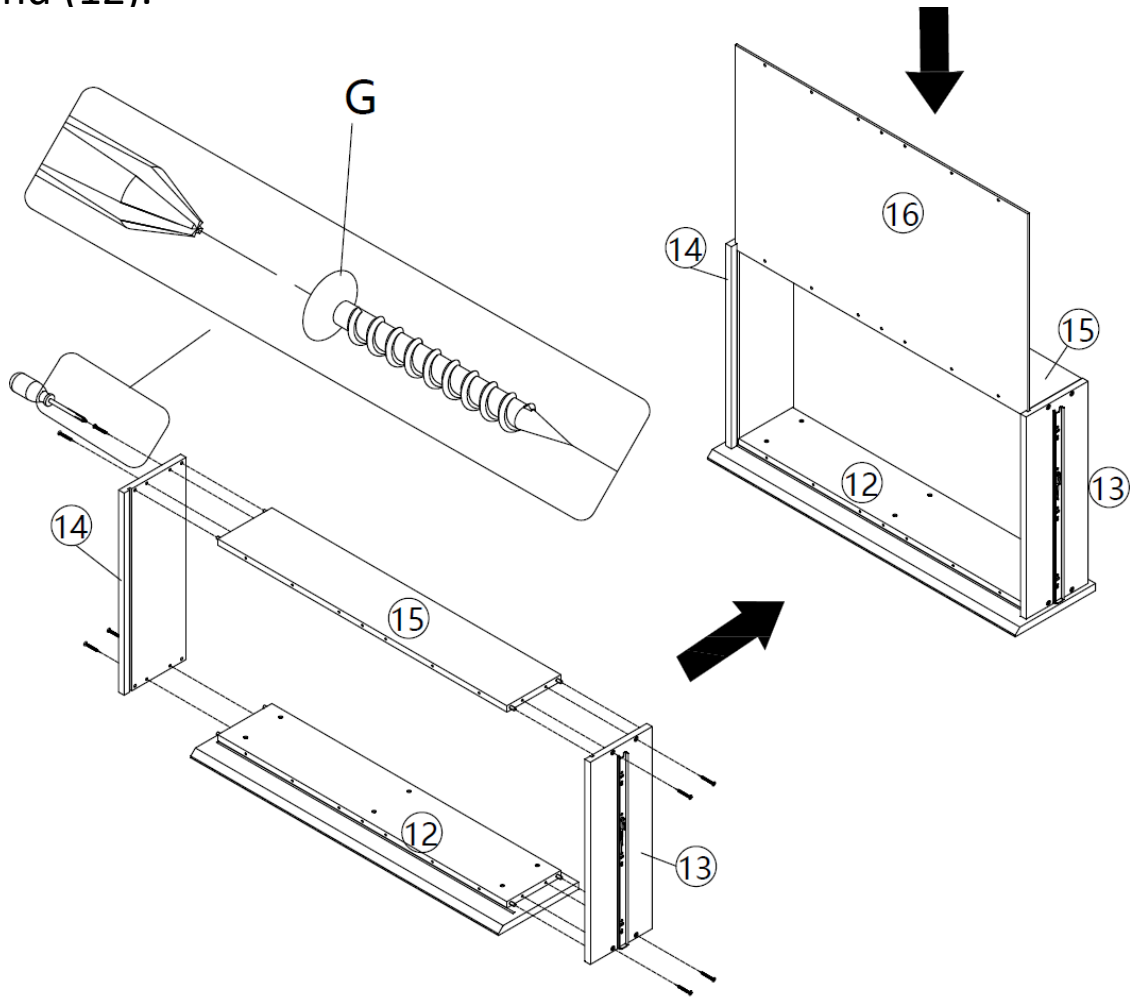
13	DRAWER LEFT SIDE
14	DRAWER RIGHT SIDE
15	DRAWER BACK
16	DRAWER BASE
17	DRAWER SUPPORT BAR

A. M8X32mm  AX20	B.  BX20	C.  CX8	D. M5  DX1	E. M4X15mm  EX16
F. M3.5X25  FX24	G. M5X40mm  GX26	H. M4X30mm  IX26		

1.



- Attach drawer sides (13)(14) to drawer front (12) and drawer back (15) with screws (G).
- Put drawer base (16) into groove of the boards (13)(14) and (12).



# 2.

G. M5X40mm



HX4

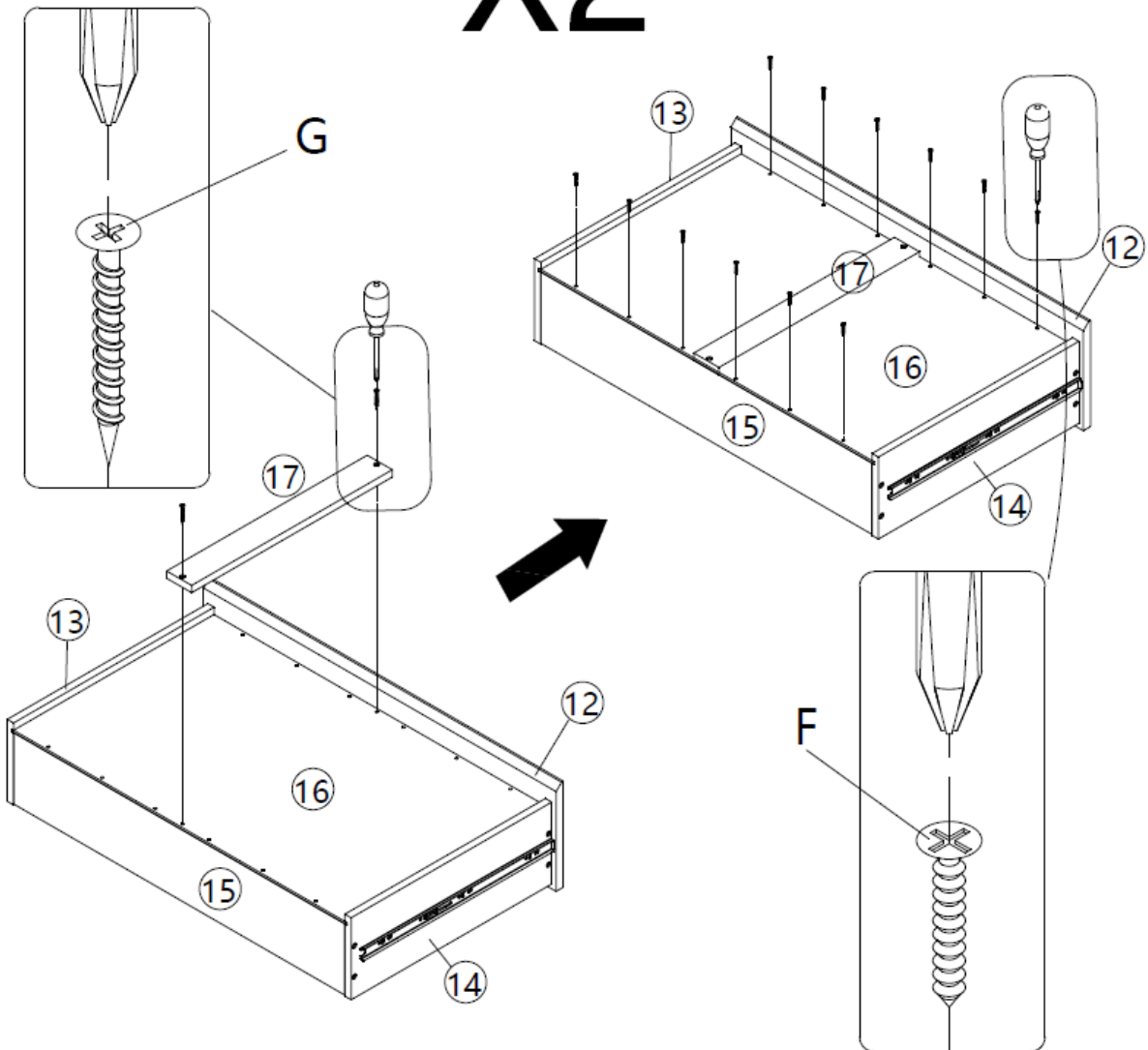
F. M3.5X25



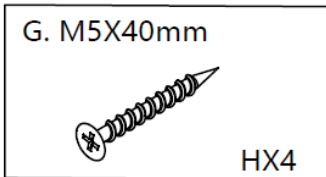
FX24

- Attach drawer support bar (17) to the middle of the drawer base (16) with screws (G).
- Fix drawer base (16) to drawer front (12) and back (15) with screws (F).

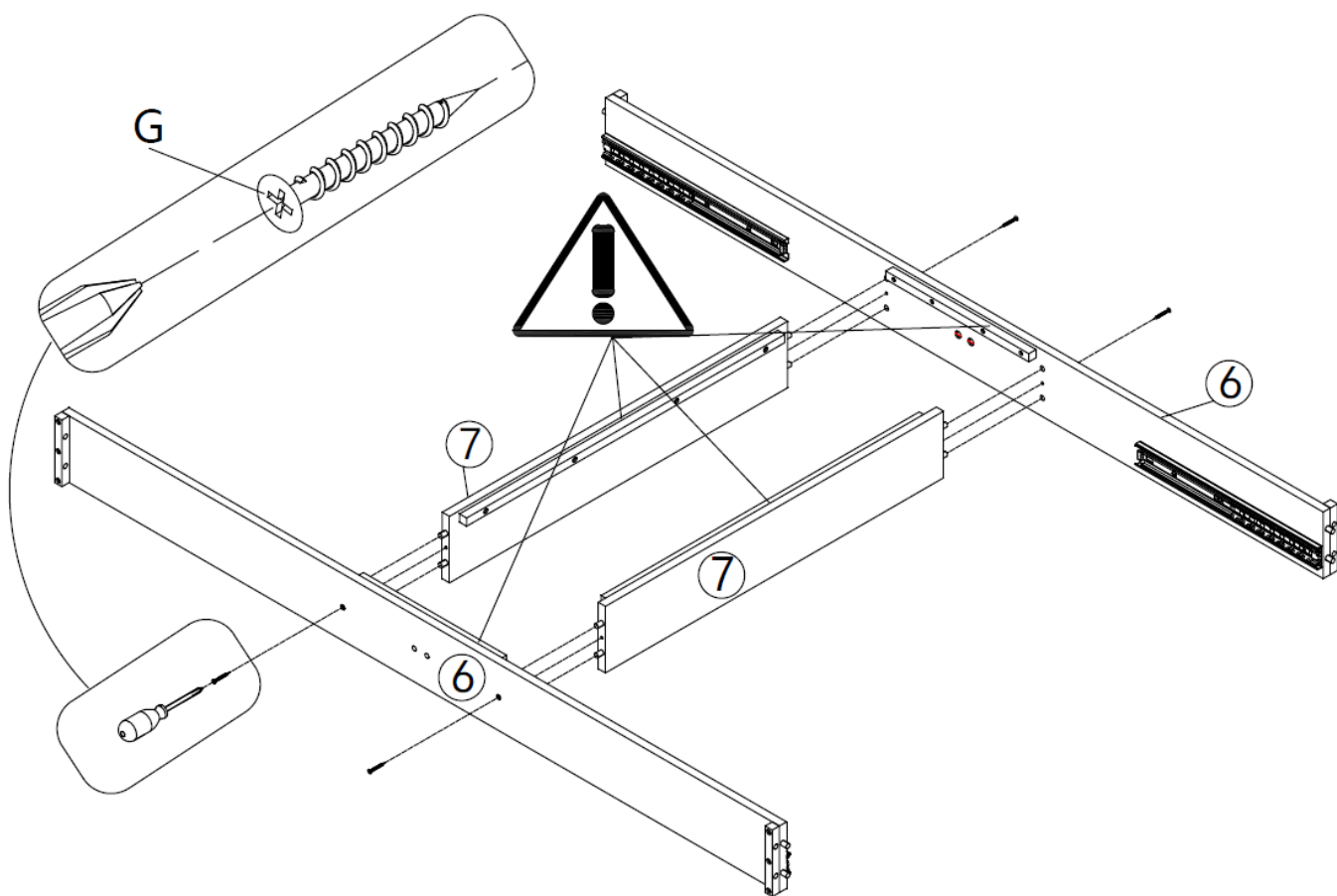
# X2



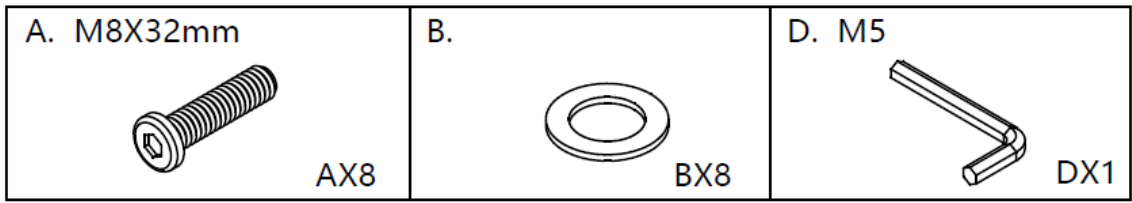
# 3.



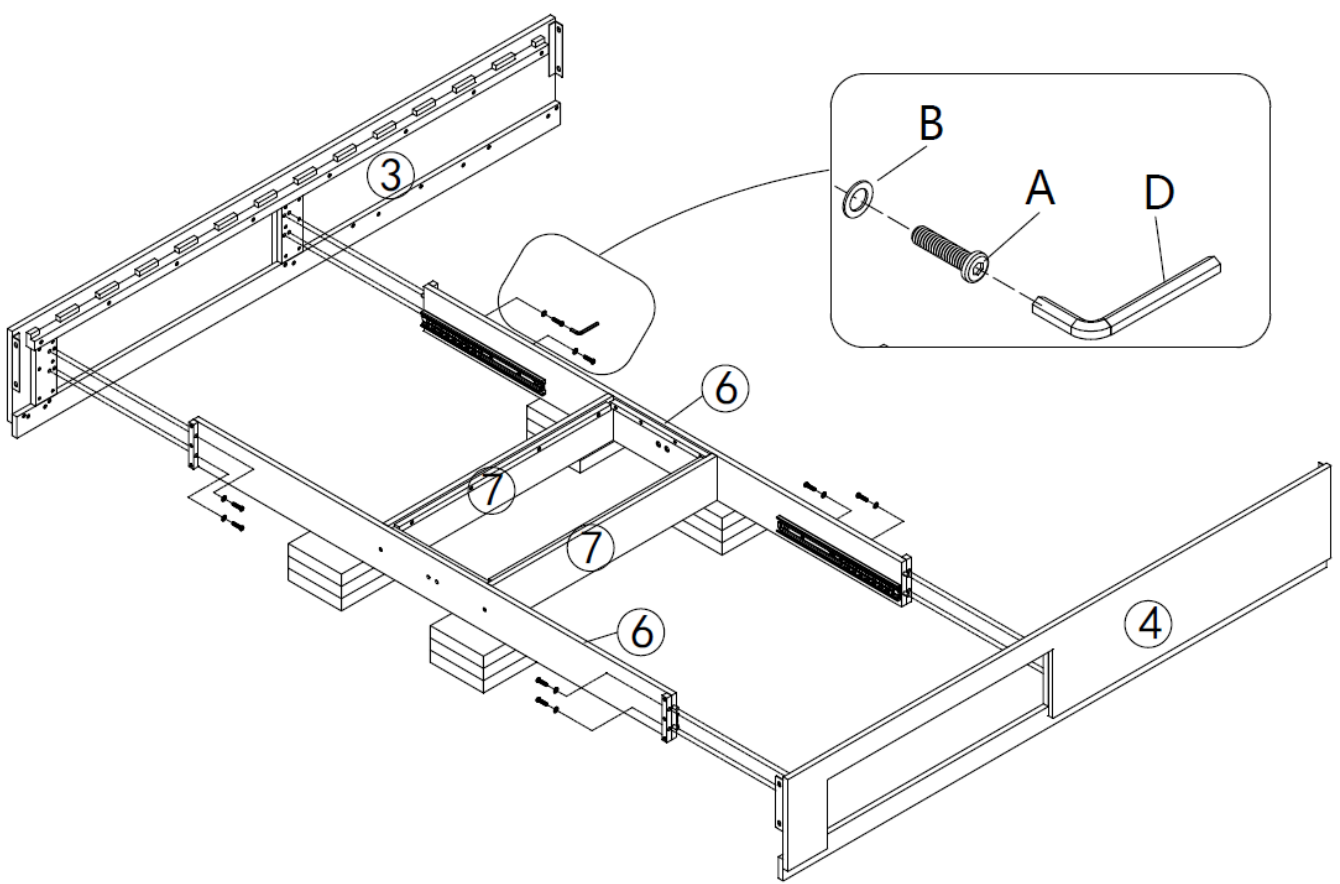
- Attach runner brace (6) to runner brace (7) with screws (G).
- **Take care to keep the four brace pieces level.**



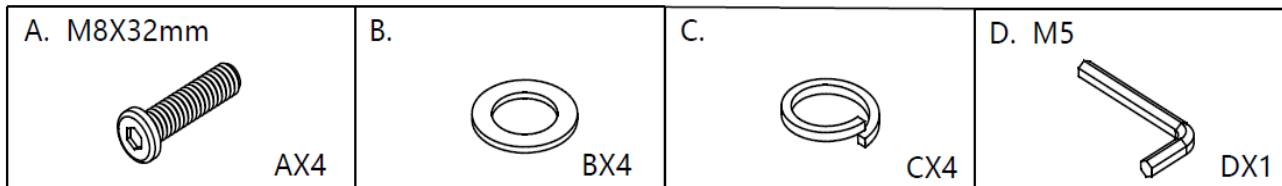
# 4.



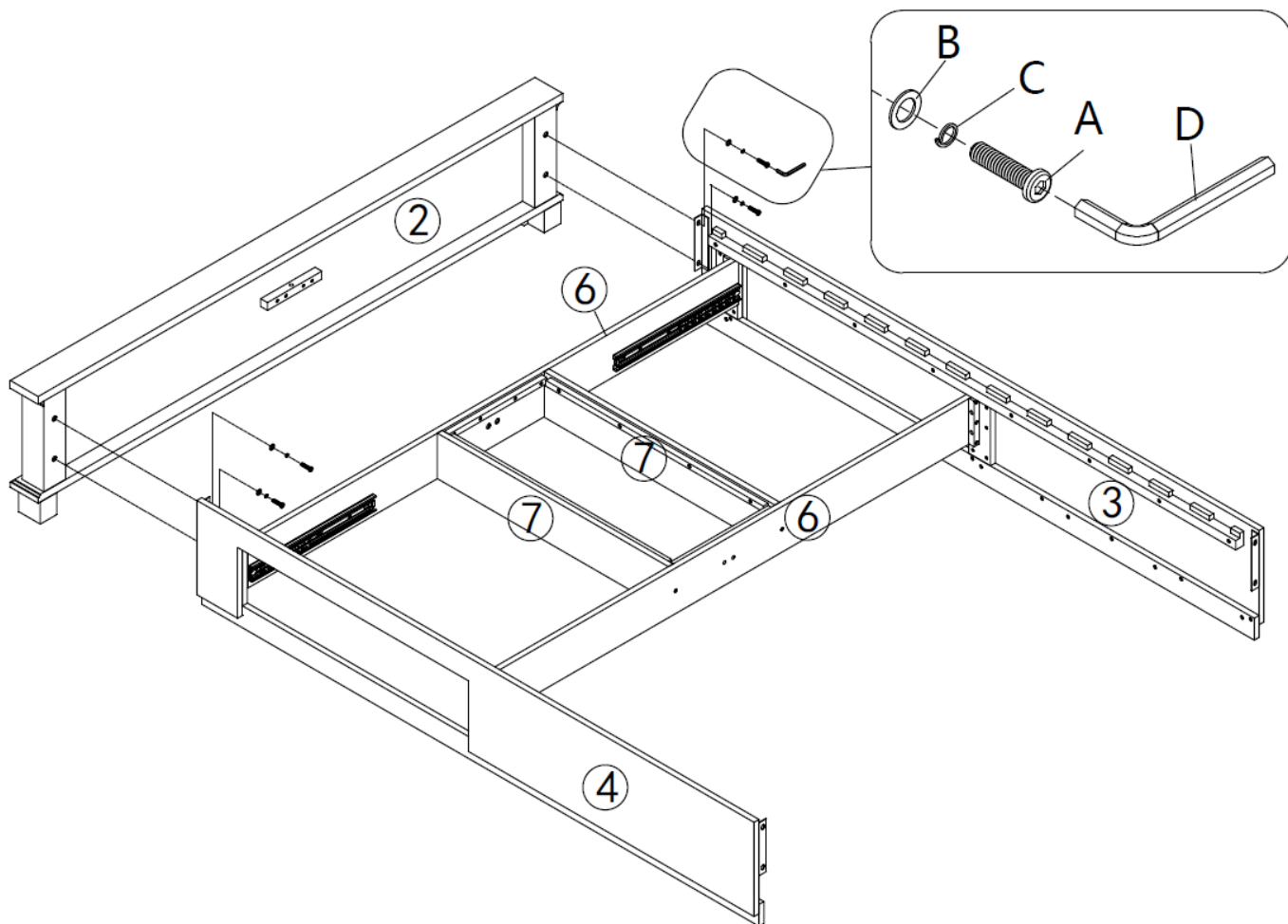
- Attach siderail (3)(4) to runner brace frame with flat washer (B) and bolt (A) .
- Tighten with allen key (D)



# 5.

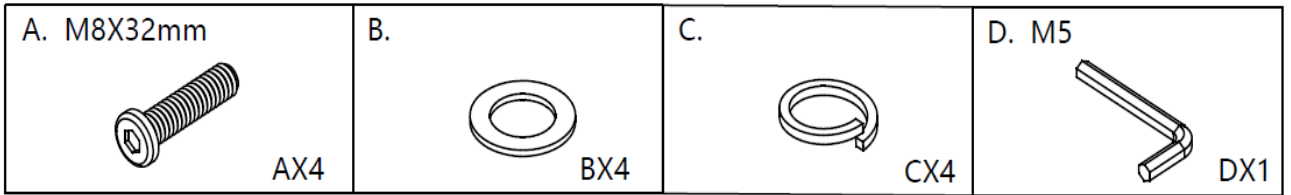


- Attach footboard (2) to siderails (3)(4) with flat washer (B), lock washer (C) and bolt (A) .
- Tighten with allen key (D)

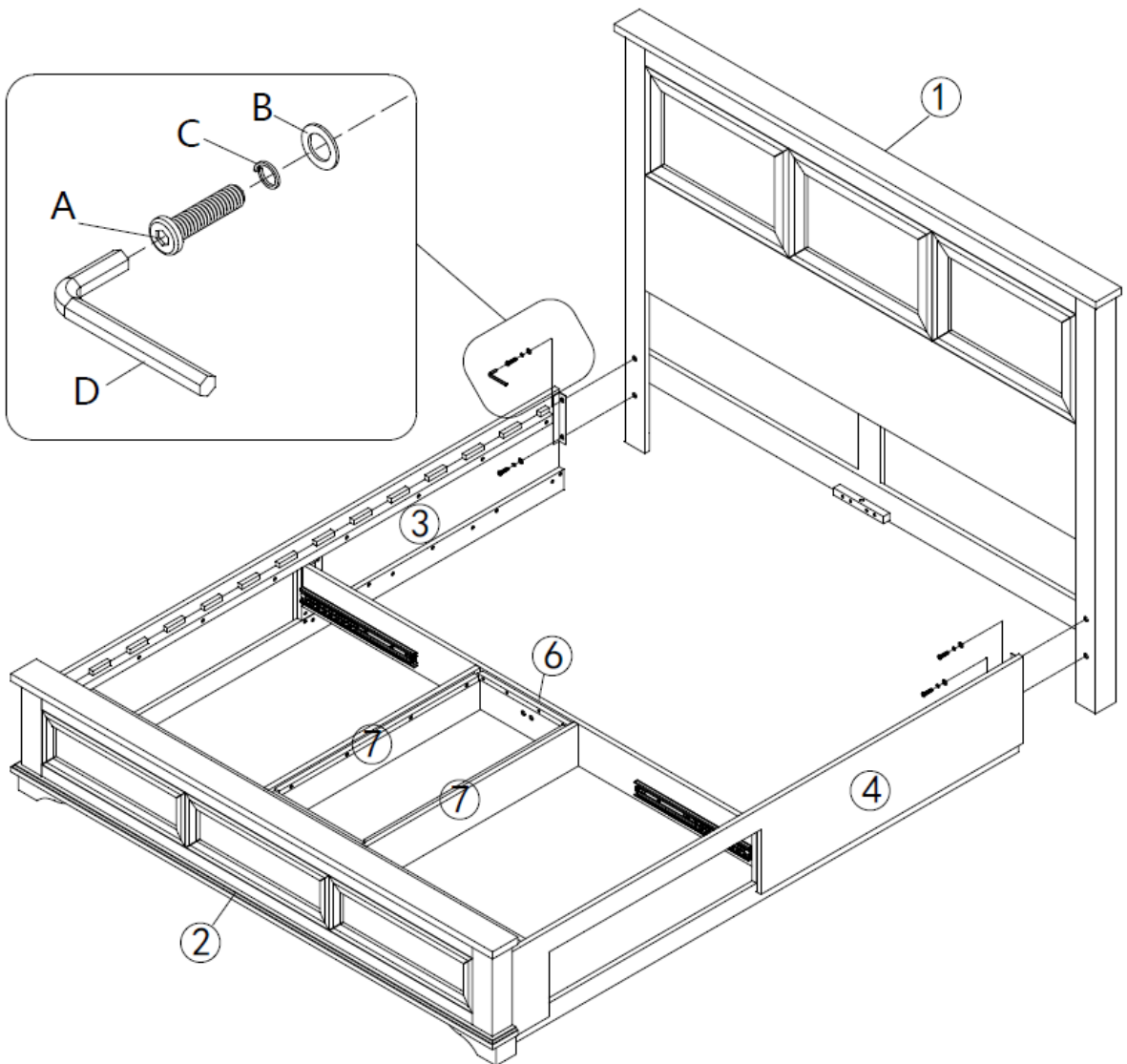




# 6.

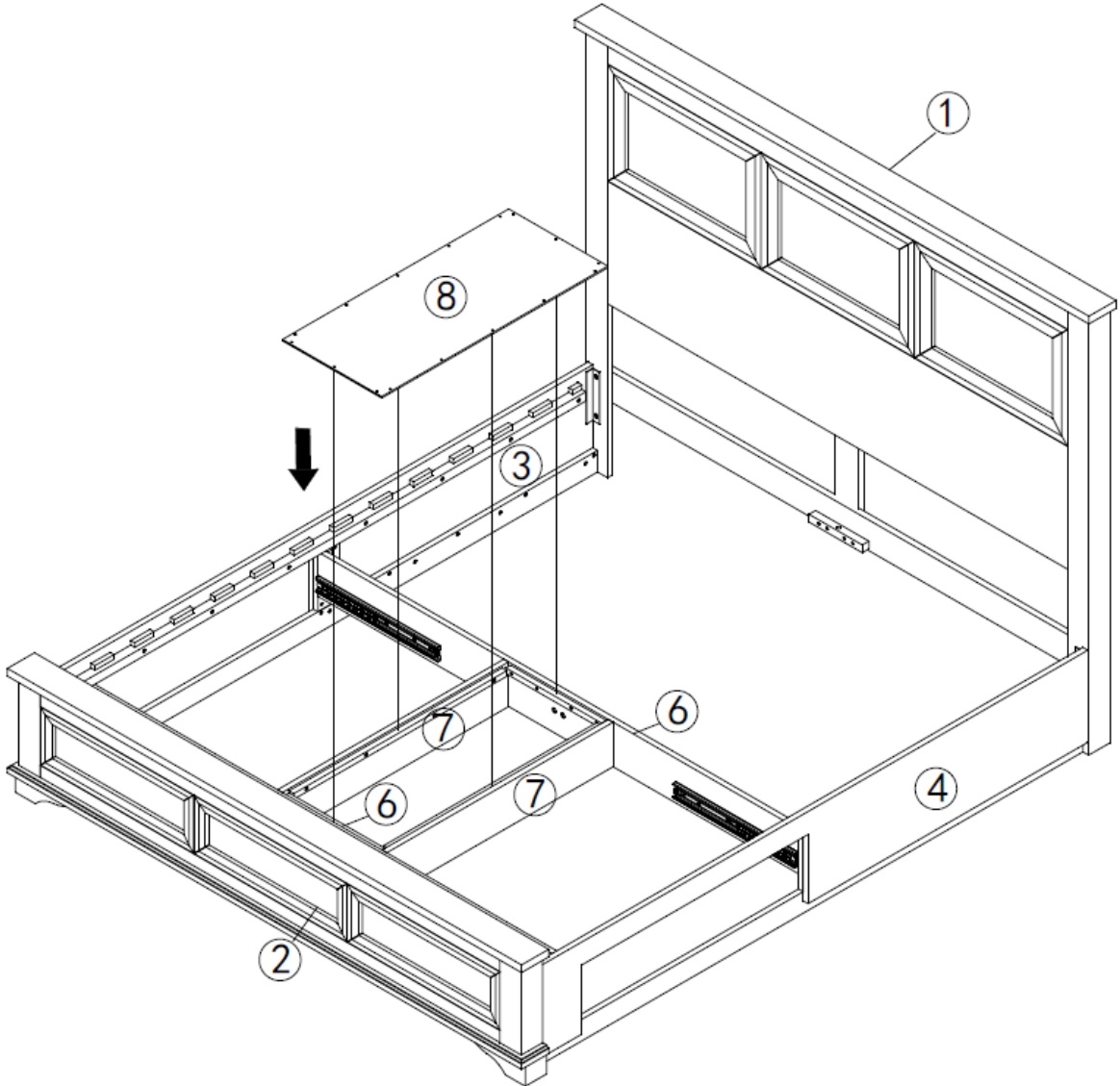


- Attach headboard (1) to siderails (3)(4) with flat washer (B), lock washer (C) and bolt (A).
- Tighten with allen key (D)

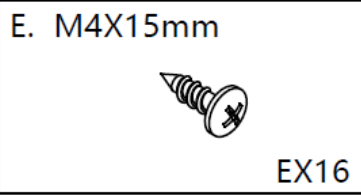


# 7.

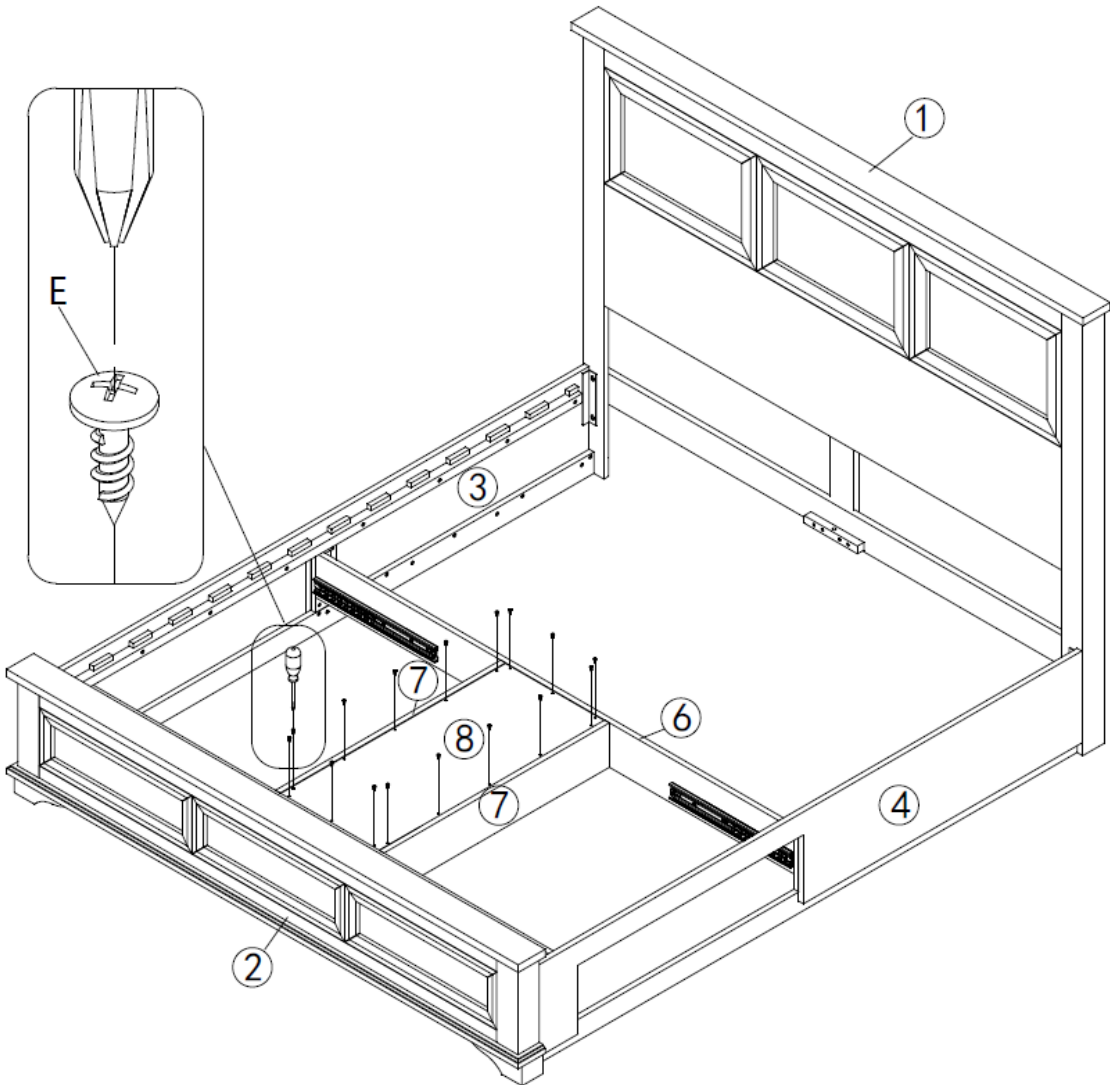
- Attach cover board (8) to drawer brace (6)(7).





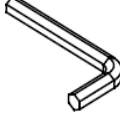

# 8.



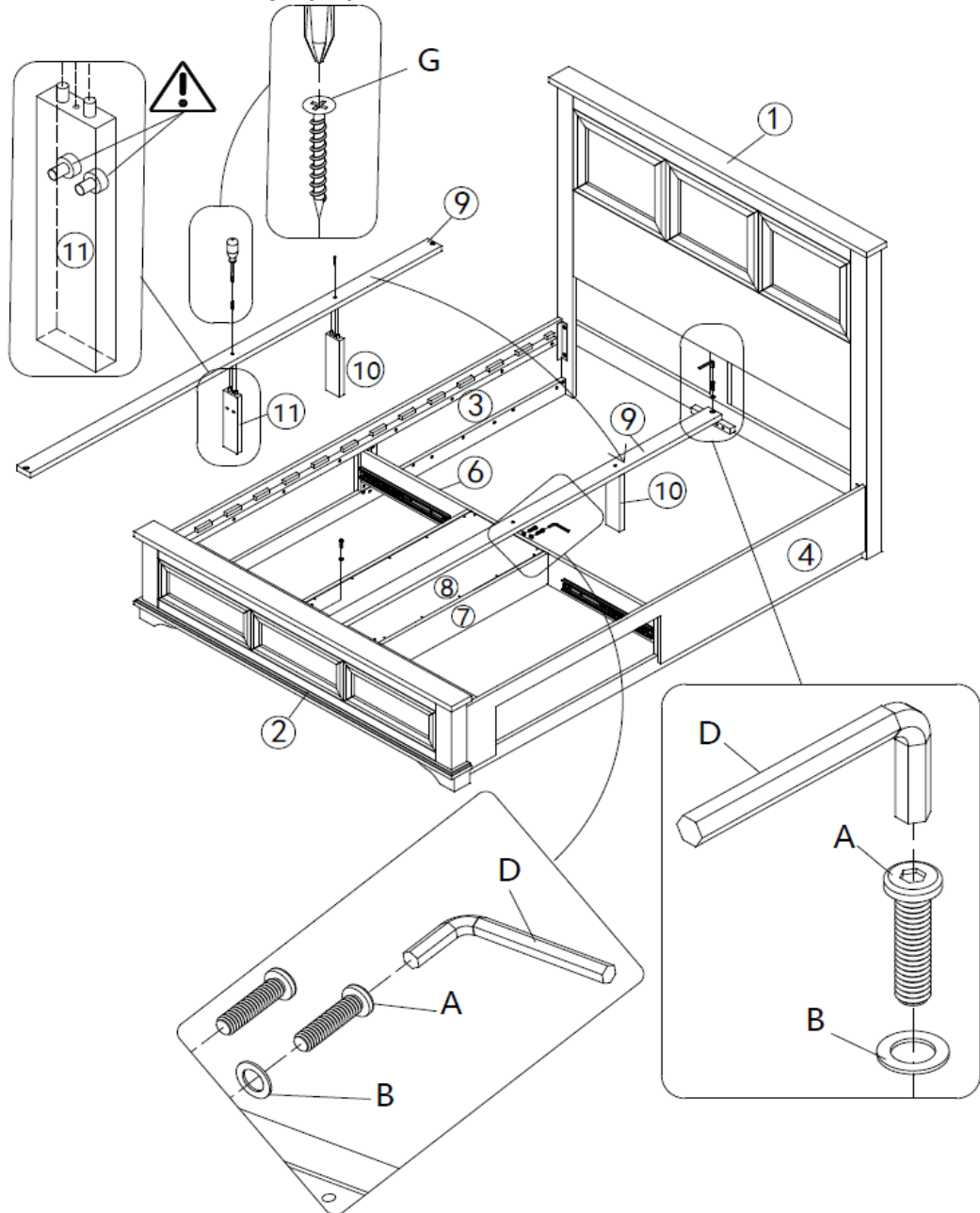
- Fix cover board (8) to drawer brace (6) (7) with screws (E)



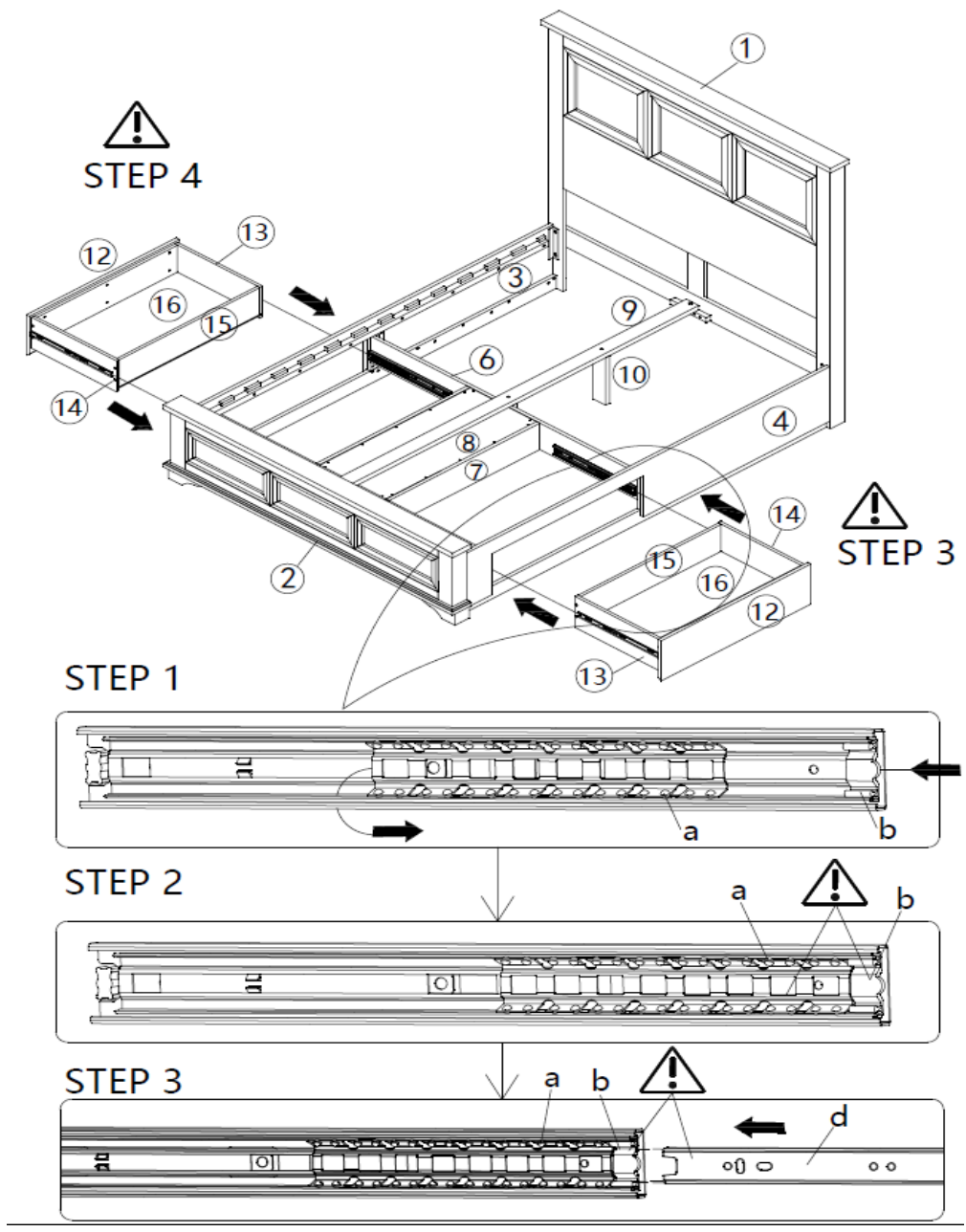
# 9.

<p>A. M8X32mm</p>  <p>AX4</p>	<p>B.</p>  <p>BX4</p>	<p>D. M5</p>  <p>DX1</p>	<p>G. M5X40mm</p>  <p>HX2</p>
---	--	--	--

- Attach support legs (10)(11) to centre rail (9) with screws (G)
- Pay attention to the direction of support leg (11)
- Attach centre rail (9) and foot (11) to headboard (1), footboard (2) and runner brace frame with flat washer (B) and bolt (A).
- Tighten with allen key (D)

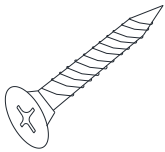


- # 10.
- Push the runner part (a) on the brace board so that they are closely connected with part (b). Mind your fingers!!!
  - Extend the runners (d) on the drawer sides (12)(13) and insert into the brace board runners (a) and (b).
  - Push both ends of the drawer front (12) and slowly push the drawer into the bed. Note that the drawer front (12) should end up flush with the siderail (3)/(4)
  - Install another drawer in the same way

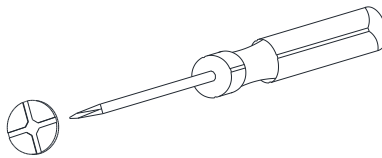


# 11.

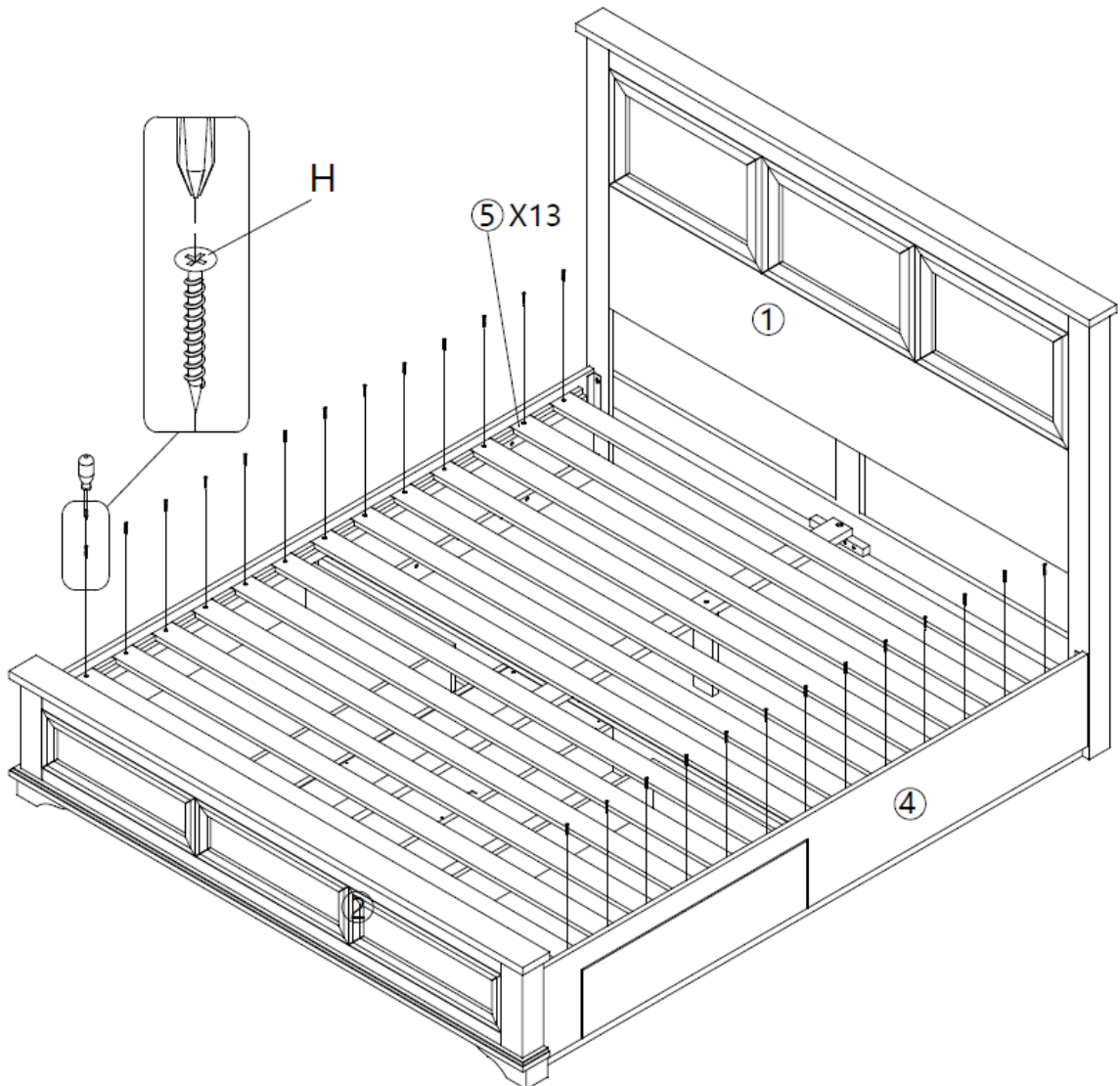
H . M 4X 30 MM



26 PCS



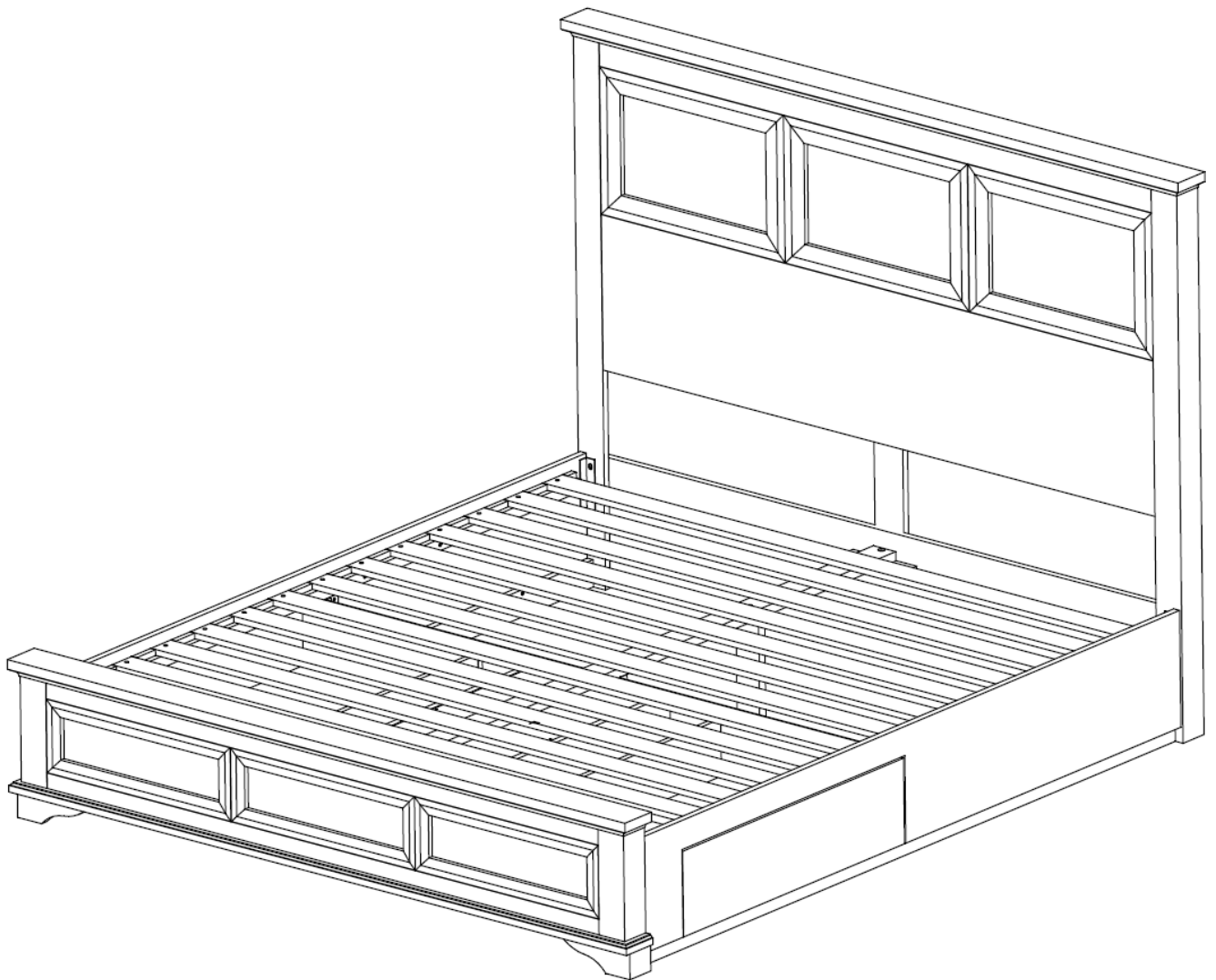
- Attach slats (5) to siderails (3)(4) using screws (H).
- Use Screwdriver or Power Drill on Low Speed.



ASSEMBLY IS COMPLETE

CAUTION

Always Lift Your Bed When Moving /Relocating -  
Do Not Drag. Dragging Can Cause The Centre  
Support Legs To Bend/Break.



## Care and maintenance



- A multi-step finish is applied to all our furniture, but all wood comes from nature. Because of this, there will be natural variations in surface texture and grain like knots, mineral streaks and sap runs that may affect the finish. These differences in character are not defects, but distinctions that make each piece of furniture unique.
- Our furniture is built to last. Following these steps for basic care should protect your investment for years to come.
- Dust frequently with a clean damp lint-free cloth. This will help remove abrasive build up which can damage a finish over time.
- Do not place hot objects on any furniture surface. Always use a hot plate or placemat. Laminate and lacquer finishes on table tops provide added scratch and heat resistance to our furniture, but they can still be damaged without proper care.
- Avoid exposing your furniture to strong sunlight, heat outlet, open windows or dampness. Prolonged exposure to direct sunlight can fade the finish of your furniture, while extreme temperature and humidity changes can cause cracking or splitting.
- Do not expose your furniture to any liquids. Never allow water to sit on your furniture. Alcohol, nail polish and perfume are also dangerous as they will dissolve the lacquer finish on contact and may require professional repairs.
- Do not allow plastic to come in direct contact with your furniture. Chemicals in the plastic of placemats etc may soften and mark the finish if left in contact with the furniture for a period of time.